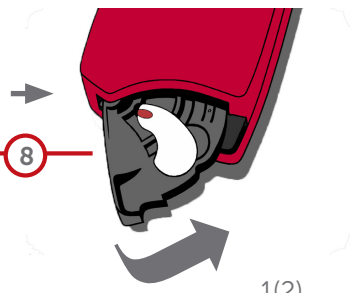
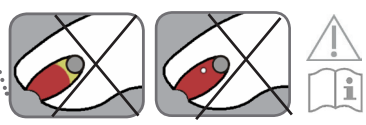
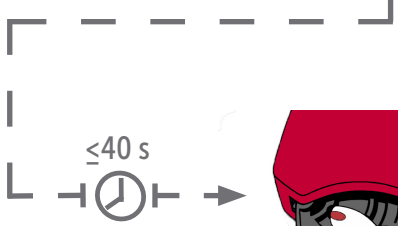
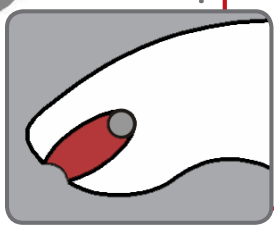
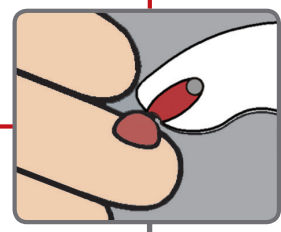
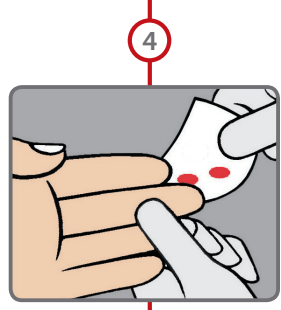
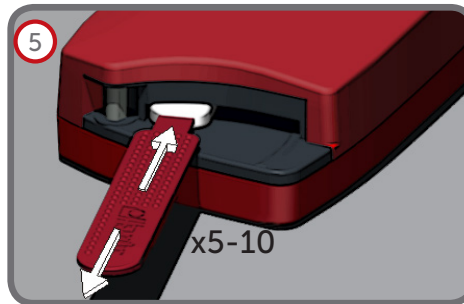
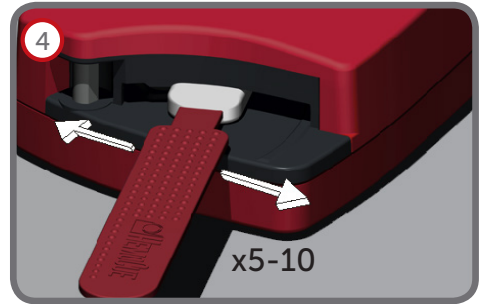
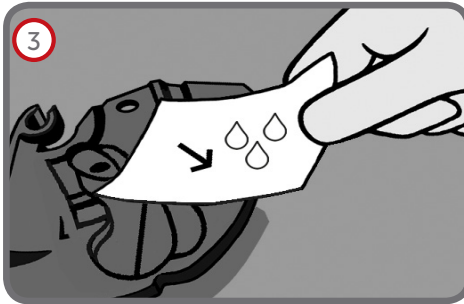


HemoCue[®]

Glucose 201 RT

Glucose 201 DM RT





 15 min



2(2)

Manufacturer

HemoCue AB
Kuvettgatan 1
SE-262 71 Ängelholm
Sweden
Phone +46 77 570 02 10
Fax +46 77 570 02 12
info@hemocue.se
hemocue.com

 **HEMOCUE**[®]

904704 140325